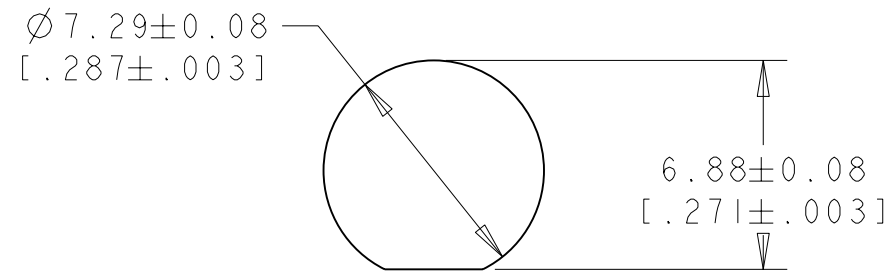
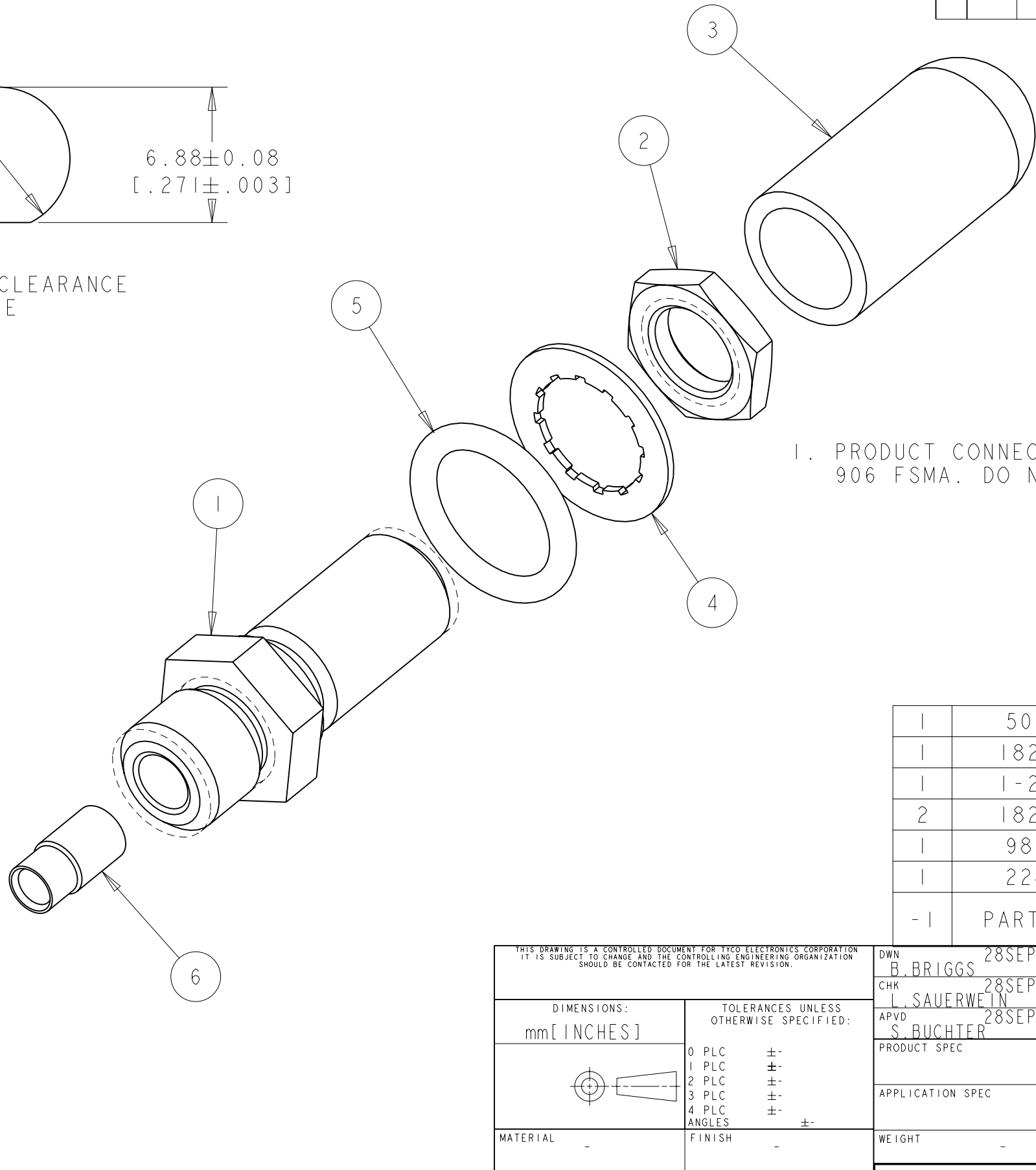


LOC	DIST	REVISIONS			
P	LTR	DESCRIPTION	DATE	DWN	APVD
CE	00	H	REVISE PER ECR-05-009613	28SEP2005	BB LS



SUGGESTED CLEARANCE HOLE



1. PRODUCT CONNECTS 905 FSMA TO 905 FSMA OR 906 FSMA TO 906 FSMA. DO NOT CONNECT 905 TO 906.

QTY	PART NUMBER	DESCRIPTION	ITEM NO.
1	501047-1	ALIGNMENT SLEEVE, FULL	6
1	1828900-1	O RING SEAL	5
1	1-22145-3	LOCK WASHER	4
2	1828874-6	PROTECTIVE CAP	3
1	981155-4	JAM NUT	2
1	228053-2	COUPLING BUSHING, FSMA	1
-1	PART NUMBER	DESCRIPTION	ITEM NO.

THIS DRAWING IS A CONTROLLED DOCUMENT FOR TYCO ELECTRONICS CORPORATION IT IS SUBJECT TO CHANGE AND THE CONTROLLING ENGINEERING ORGANIZATION SHOULD BE CONTACTED FOR THE LATEST REVISION.		DWN B. BRIGGS 28SEP2005 CHK L. SAUERWEIN 28SEP2005 APVD S. BUCHTER 28SEP2005		tyco Tyco Electronics Electronics Harrisburg, PA 17105-3608	
DIMENSIONS: mm [INCHES]		TOLERANCES UNLESS OTHERWISE SPECIFIED: 0 PLC ±- 1 PLC ±- 2 PLC ±- 3 PLC ±- 4 PLC ±- ANGLES ±-		NAME COUPLING BUSHING KIT, SEALED, FSMA	
MATERIAL -		FINISH -		SIZE CAGE CODE DRAWING NO RESTRICTED TO A300779 C-501050 -	
CUSTOMER DRAWING				SCALE 4:1 SHEET 1 OF 1 REV H	